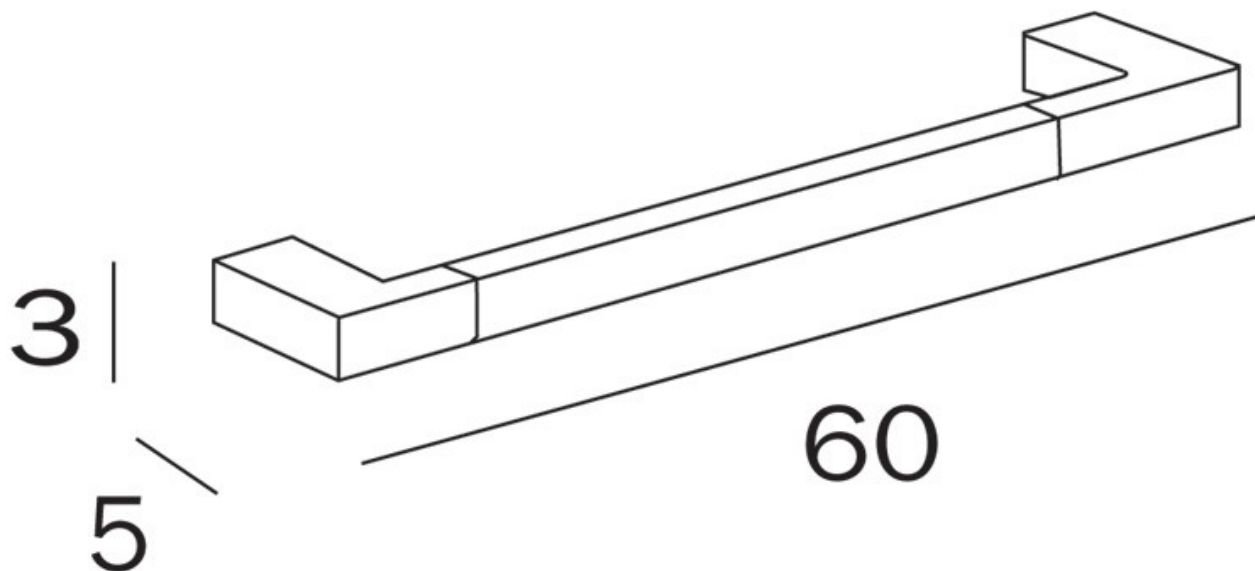


**LOGIC**  
**600mm GRAB BAR**  
(Chrome - A3395C)



Features:  
Tested to AS 1428.1-2009 (+A1)  
150kg load rating



Proudly imported and distributed by  
Gro Agencies Pty Ltd  
Unit 2 / 37 Howe St, Osborne Park, WA, 6017  
P 08 9446 3288 E [info@groagencies.com.au](mailto:info@groagencies.com.au) W [www.groagencies.com.au](http://www.groagencies.com.au)

